

Stationary Charger for Battery Forklifts

**JBY Series Battery Charger
designed in Japan**

Outline

Traction batteries for forklifts are operated under very hard conditions and the operation pattern is usually irregular. Usually the charging of batteries is performed during the night time, whereby supervisor cannot be present.

Sometimes the batteries may not be charged properly, thereby it causes an overcharged or undercharged batteries. GS YUASA battery chargers JBY type have solved the problems.

They were designed on the basis of many years of our research and experience to assure automatic charging in proper, efficient way, thus dispensing with otherwise troublesome battery charging work.

Let JBY battery chargers for battery forklifts help you.



Features

1 High reliability and efficiency

- Most popular charger with highest reputation by Japanese forklift manufactures.
- Excellent cost performance by simple structure.

3 Easy operation

- Only press the button once for starting. The charging process is indicated by LED lamps in control panel.
- NORMAL CHARGING or EQUALIZED CHARGING can be chosen by pressing the button once.
- * Equalized charging is strongly recommended once a month in order to prevent undercharging, however, the excess of it cause overcharging and might make the battery life short.

2 Most suitable electric circuit for traction batteries

- Can charge the batteries within 8 hours even if they were discharged 100% (include gassing process).
- JBY charger can withdraw the performance from the batteries to the maximum from the batteries and makes the battery life long.

4 NO attendance required

- Automatic charging system eliminates the necessity of attendance.
- Regardless of the state, the batteries can be fully charged by JBY charger automatically.
- Even if power failure occurs less than one hour during charging the charging will resume from the point of interruption.

Stationary Charger for Battery Forklifts

Charging Characteristics of JBY Charger

Fig.1 and Fig.2 show the output characteristic of the charger, and the example of the charging curve.

Big current flows in early stages of the charge, at this time the state of voltage is low.

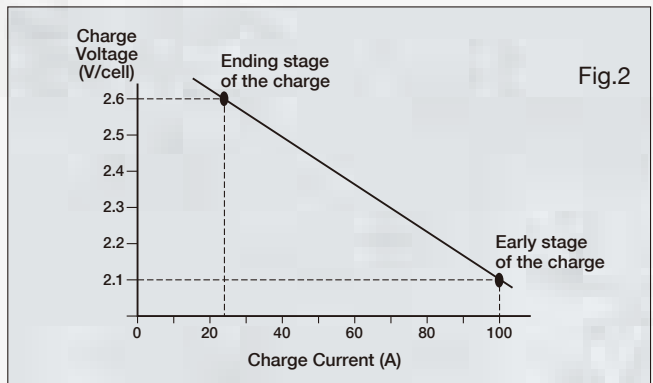
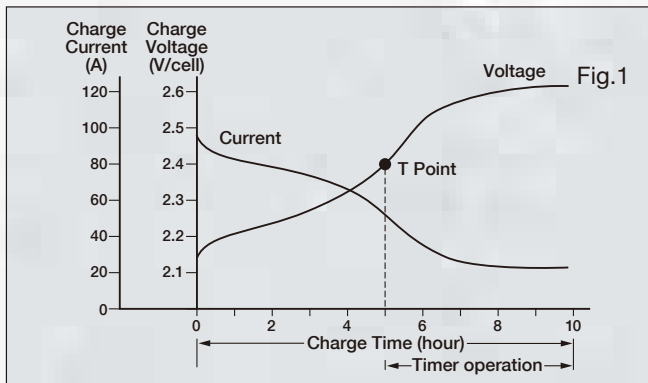
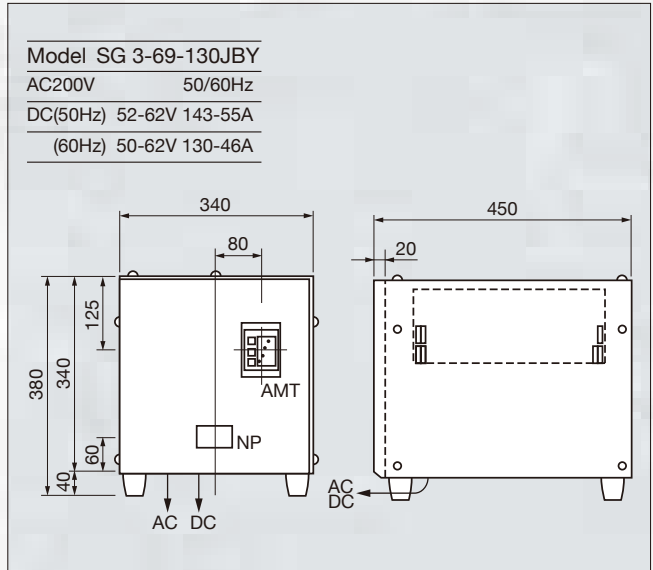
As the charge proceeds, the current decreases automatically and the voltage increases.

The current drops by 25% at the end of the charge.

The drop of current avoids an increase in temperature of the cells at the end of the charge.

When the charger catch the voltage of T point, the timer starts and the charger stops automatically which the charge becomes enough.

The charger charges safely and perfectly without damaging any cells.



Specification(standard)

Model	AC Input Voltage	DC Output Voltage	Rated Output Current (Amp)	Suitable Battery Capacity @ 5Hr (Ah)	Approx. Weight (kgs)	Dimensions (mm) L x W x H
SG3-35-45JBY	200/400	24	45	180~250	31	340x450x380
SG3-35-60JBY	200/400	24	60	250~330	32	340x450x380
SG3-35-85JBY	200/400	24	85	330~480	36	340x450x380
SG3-69-35JBY	400	48	35	150~190	32	340x450x380
SG3-69-45JBY	200/400	48	45	180~250	32	340x450x380
SG3-69-60JBY	200/400	48	60	250~330	42	340x450x380
SG3-69-80JBY	200/400	48	80	330~450	44	340x450x380
SG3-69-100JBY	200/400	48	100	440~560	60	340x450x380
SG3-69-130JBY	200/400	48	130	560~730	64	340x450x380
SG3-100-60JBY	400	72	60	250~330	55	340x450x380
SG3-100-80JBY	400	72	80	330~450	65	340x450x380
SG3-100-100JBY	400	72	100	440~560	92	400x520x430
SG3-115-80JBY	200/400	80	80	330~450	83	400x520x430

* AC Input
 200V: 190V-230V (at 10V intervals), 400V: 320V-460V (at 20V intervals)



GS Yuasa International Ltd.
 1-7-13, Shiba-Koen, Minato-Ku, Tokyo 105-0011, Japan
 Phone +81-3-5402-5716 Fax +81-3-5402-5706
 URL : <http://www.gs-yuasa.com/gyin/en>

PT. WIJAYA EQUIPMENTS
 Ruko Golden Boulevard Blok E-23
 Jl. Pahlawan Seribu, BSD City
 Tangerang Selatan - 15318



Phone : 021-531 60 838, 531 60 837
 HP/WA : 0852 8626 9999, 0856 157 3188
 E-mail : wijaya789@gmail.com
 Website : www.klikcharger.com